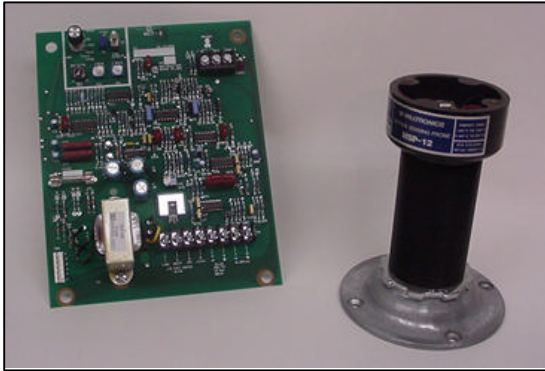




NCT-2 Non-Contacting Tachometer

TECHNICAL SPECIFICATION



Want a 4-20 mA analog output from a Non-contacting Tachometer?

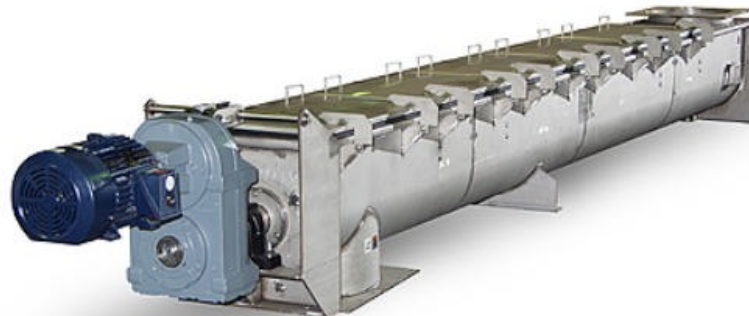
Westec Instruments Non-Contacting Tachometer (NCT-2) is our cost effective answer to speed indication requirements in even the most demanding industrial environments.

The innovative electronics can be used with any of MSP or XPP rugged, highly sensitive probes to provide the analog signals necessary for process control, indication or recording purposes. With this system you get speed indication, repeatability and accuracy better than $\pm 0.5\%$. For increased speed of response at low pulse rates the signal is updated with each pulse.

Easy to install, the NCT-2 is easy to calibrate too, even in the field, because it provides an extremely wide calibration range. This enables the NCT-2 to monitor speeds from slow to fast on applications from drag conveyors to fans.

The standard output is 4 – 20 mA 'floating' with a damping adjustment provided to smooth out speed fluctuations. Full scale calibration can be from a low a eight (8) pulses per minutes to a high of 7200 PPM. Zero is set for 0 PPM equal to 4 mA. However, the design provides a minimum of 4% of full scale of calibration under dynamic conditions. A separate circuit takes the output to 4 mA if no pulses are received for 40 seconds. This assures a zero output for stopped conditions. Please note that the minimum velocity of the block must be 2 feet (1 cm/sec) per minute in order to produce a pulse acceptable to the probes.

Options include a NEMA 4 and NEMA4X enclosure, 230 VAC operation, door mounted LCD meter and up to three (3) dual alarm modules. Additional, factory pre-calibration can be provided for any PPM equal to 20 mA for nominal fee. As well, the 3 ½ Digit LCD meter can be calibrated in engineering units provided the full scale indication and PPM are given and equal to 20 mA or 100%.



TECHNICAL SPECIFICATIONS

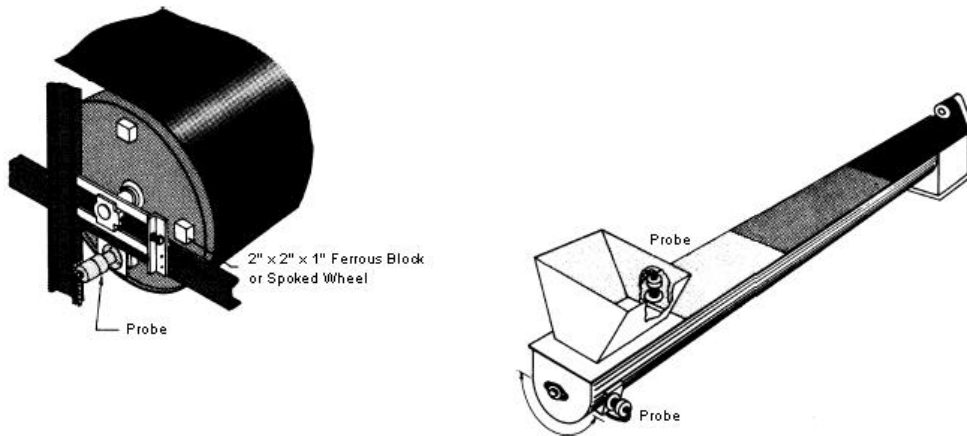
Ambient Temp. Range:	Main Electronics -40° to 140°F	Outputs:	4 – 20 mA into 750 ohms
Accuracy;	± 0.5% overall of full scale	Options:	
Repeatability:	± 0.1% of full scale	LCD Meter	3 ½ Digit 0 – 100%
Linearity:	± 0.1% of full scale from 4 –100%	Dual Alarm	Fail Safe Hi-Lo with DPDT 10 amps 120/240 VAC resistive contacts (2 Form C)
Turn Down:	25 – 1		
Temp Co-efficient:	0.03 % per °F (0.05% per °C)		
Span:	Field calibrate from 8 - 7200 PPM 100%(20mA)	Enclosures	NEMA 4 steel or NEMA 4X stainless steel
Zero:	0 PPM for 0% (4 mA)	Calibration	Special calibration available
Damping:	0 – 10 seconds		

COMMON APPLICATIONS AND INDUSTRIES SERVED

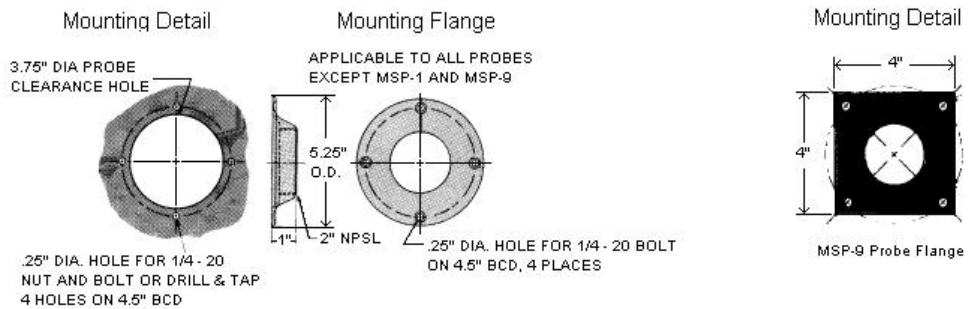
INDUSTRIES SERVED

Cement, Mining, Power, Milling, Food & Beverage, etc.

TYPICAL EQUIPMENT INSTALLATION



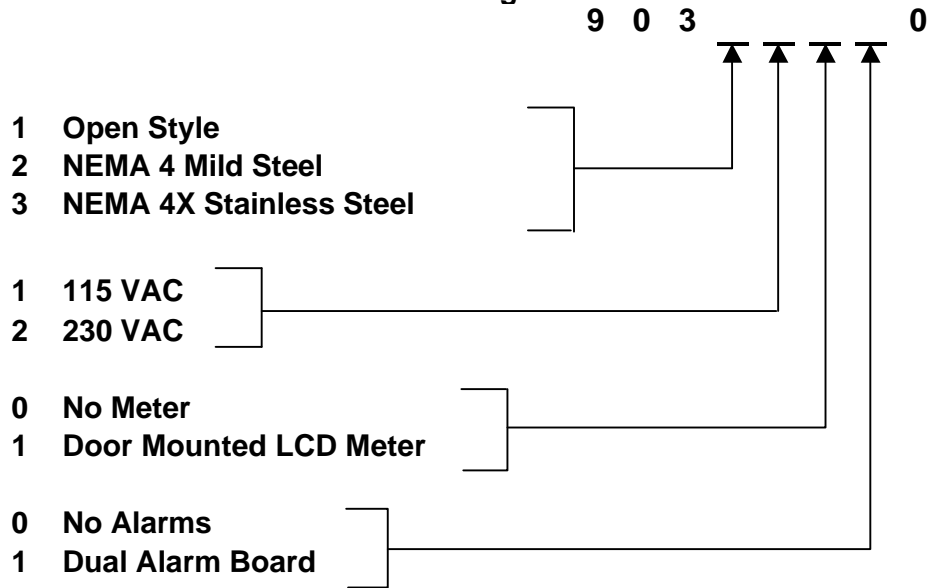
PROBE MOUNTING DETAILS



MSP-1 PROBES REQUIRE A 1.125" HOLE FOR MOUNTING

ORDERING INFORMATION

NCT-2 Non-Contacting Tachometer



MOTION SENSING PROBES

MSP-1 Mini Probe with RMA in NEMA 4 Enclosure	92400000 + 92910000
MSP-3 High Temperature Probe with RMA in NEMA 4 Enclosure	92100000 + 92910000
MSP-9 SS High Temperature Probe with RMA in SS NEMA 4 Enclosure	92500000 + 51015351
MSP-12 Low Temperature Probe with Internal Amplifier	92000000
XPP-5 Explosion Proof Probe with Internal Amplifier & 5 feet of Cable	92310000
XPP-5 Explosion Proof Probe with Internal Amplifier & 30 feet of Cable	92320000

SPARE PARTS

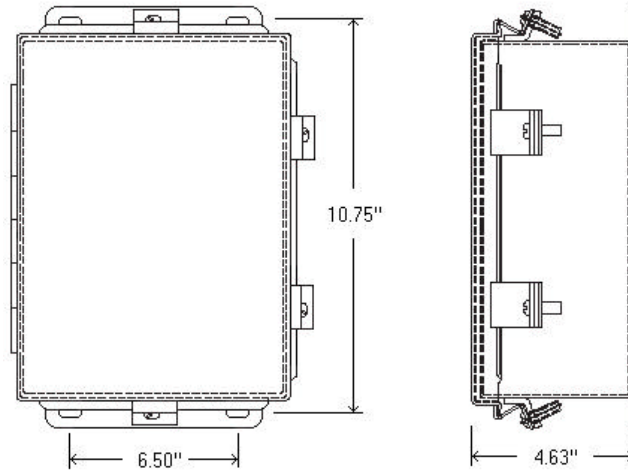
LCD Meter	51007611
Dual Alarm Card	51007421
Remote Mounted Amplifier Board	51012461
Fuses, Box of 5, 1/4 Amp	22550070
Transformer, 30A190 (For 115 VAC)	26350190
Transformer, 30A241 (For 230 VAC)	26350241
Extra NCT-2 Manual	IM-3
MSP-1 Mini Probe	92400000
MSP-3 High Temperature Probe	92100000
MSP-9 SS High Temperature Probe	92500000
MSP-12 Low Temperature Probe	92000000
XPP-5 Explosion Proof Probe (5')	92310000
XPP-5 Explosion Proof Probe (30')	92320000

Your Representative:



10537 Bradshaw Dr.
 Fort Worth, Texas 76108
 Tel: 682-336-1259
 e-mail: westecinstrumentation@gmail.com
 www.westecinstrumentationllc.com

DRAWINGS



INTERCONNECTION

