



## TSI & TSP

## TECHNICAL SPECIFICATION

### Tilt Switch Indicator & Probe

## Alarm Indication and Dual Contact Closure in a Single Device



Westec Instrumentation Tilt Switch Indicator provides status lights to user for both "Normal" and "Alarm" conditions. In addition, the TSI provides relay contact closures for auxiliary use.



## APPLICATIONS



Tilt switch indicators and probes provide high and low level alarm for both dry solids and liquid applications.

The rugged, stainless steel probe is suspended vertically over a bin, belt, pile or tank and the encapsulated switch within the probe provides an open contact signal whenever the probe is pushed more than 15 degrees off vertical. Various extension options allow for better adaptation to all types of applications.

The include the wear extension for coarse materials, the cross and flat paddle extensions for low to medium density applications and the float extension for liquids.

The probes are available for low temperature applications of less than 190°F and high temperature application of less than 465°F.

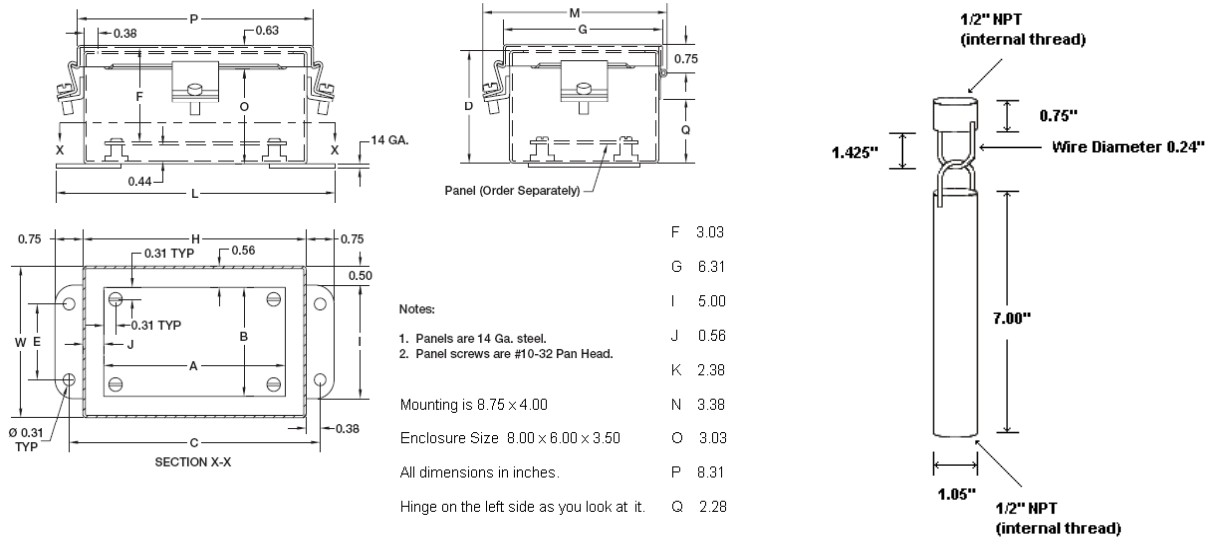


## TECHNICAL SPECIFICATIONS

<b>Power Supply:</b>	105 to 125 VAC, 60 Hz @ 5VA 230 VAC, 60 Hz @10A
<b>Input</b>	
Type	Passive Device - Tilt Switch Probe Maximum external contact resistance is 75K ohms
<b>Output</b>	
Relay Type	Relay contact of two (2) Form C
Relay Contact Rating	10A @ 240 VAC
<b>Indication</b>	
Lights	Door mounted "Normal" & "Alarm" PCB mounted LED (Relay Energized)

<b>Temperature</b>	
Recommended:	- 40 to +140 degree F (40 to +60C)
<b>Indication</b>	
Lights	Door mounted "Normal" & "Alarm" PCB mounted LED (Relay Energized)
<b>Enclosure Rating</b>	
	Nema 4 Water and Dust Tight
<b>Tilt Switch Probe Material and Cable Lengths</b>	
Probe Housing:	304 Stainless Steel, 80 gauge
Cable Specs:	Low Temp - 20' SJO, Hi Temp - 5' Teflon

## DIMENSIONAL DRAWING



## INDUSTRIES SERVED AND COMMON APPLICATIONS

### INDUSTRIES SERVED

Cement, Mining, Power, Milling, Food & Beverage, Chemical, etc.

### COMMON APPLICATIONS

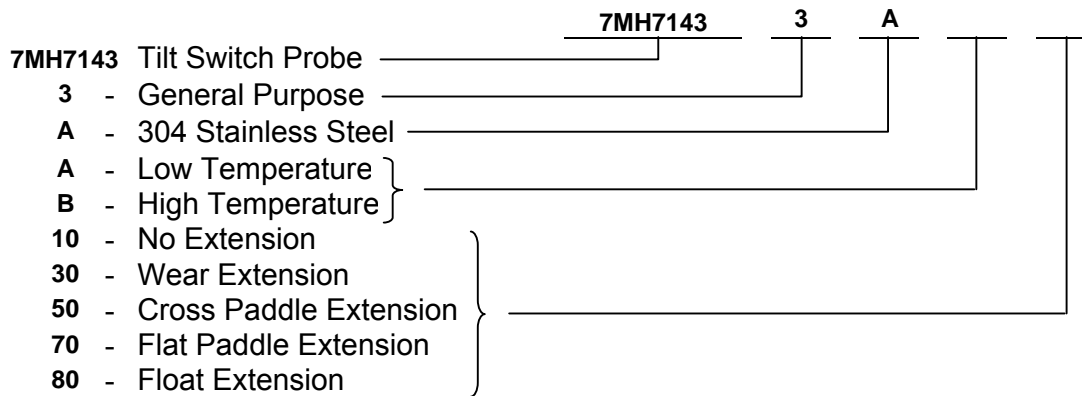
Bin Level Backup, Plugged Chute Detection, Aggregate Pile Feeder Shutoff, Feed Loss Detection

## EQUIPMENT SELECTION - TILT SWITCH INDICATOR

**115 VAC - 7MH7141-1BB**

**230 VAC - 7MH7141-2BB**

## EQUIPMENT SELECTION - TILT SWITCH PROBE



Your Representative:



10537 Bradshaw Dr.  
 Fort Worth, Texas 76108  
 Tel: 682-336-1259  
 e-mail: westecinstrumentation@gmail.com  
 www.westecinstrumentationllc.com